



Hopper Dryer

SHD-300U

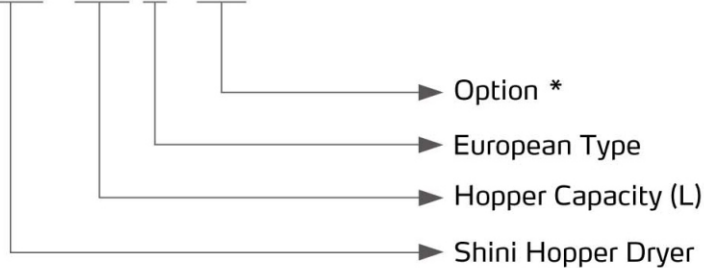


Refer carefully to this manual before operation.

SHD-U Series

■ Coding Principle

SHD - xxx U - xxx

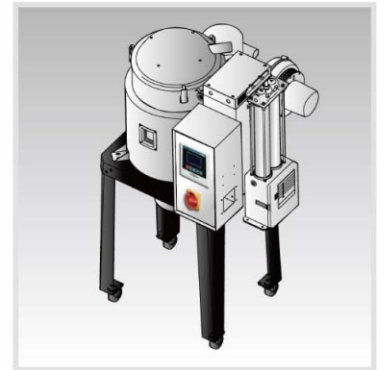


Notes: *

P=Polished Hopper Inside

HD=Heatless Dehumidifying

CE=CE Conformity



SHD-80U-HD
& Floor Stand (optional)

■ Features

Standard configuration

- Microprocessor is used for accurate temperature control.
- Digital P.I.D. temperature control with LED display.
- Overheat protection to ensure reliable operation.
- 7-day automatic start/stop timer to improve energy saving.
- Unique design of down-blow air pipe can spread hot air evenly, keeping plastics dry and temperature stable to raise drying efficiency.
- SHD-80U and models above have material clearance door to make cleaning more convenient and effective.
- SHD-450U and models below are equipped with stainless steel lining aluminium base. SHD-600U~750U is equipped with aluminium magnetic base. SHD-900U and model above are equipped with manual butterfly valve.
- For SHD-900U models and above, floor stand is standard equipment.

Accessory option

- Cyclone dust separator, exhaust air filter, magnetic base and blower inlet filter are optional.
- Hot air recycler, suction box, hopper magnetic, Euro-type floor stand and storage hopper are optional.
- Safety protective ladder is optional for SHD-1500U and models above.
- SHD-U-HD heatless dehumidifying hot-air dryer, fit with heatless regenerative device, which can supply dried air with relative low dew-point to speed up materials drying.
- SHD-U-HD heatless dehumidifying hot-air dryer, standard equipped with hot air recycler which can save energy effectively. Without dust discharging, the dryer does little harm to the environment.

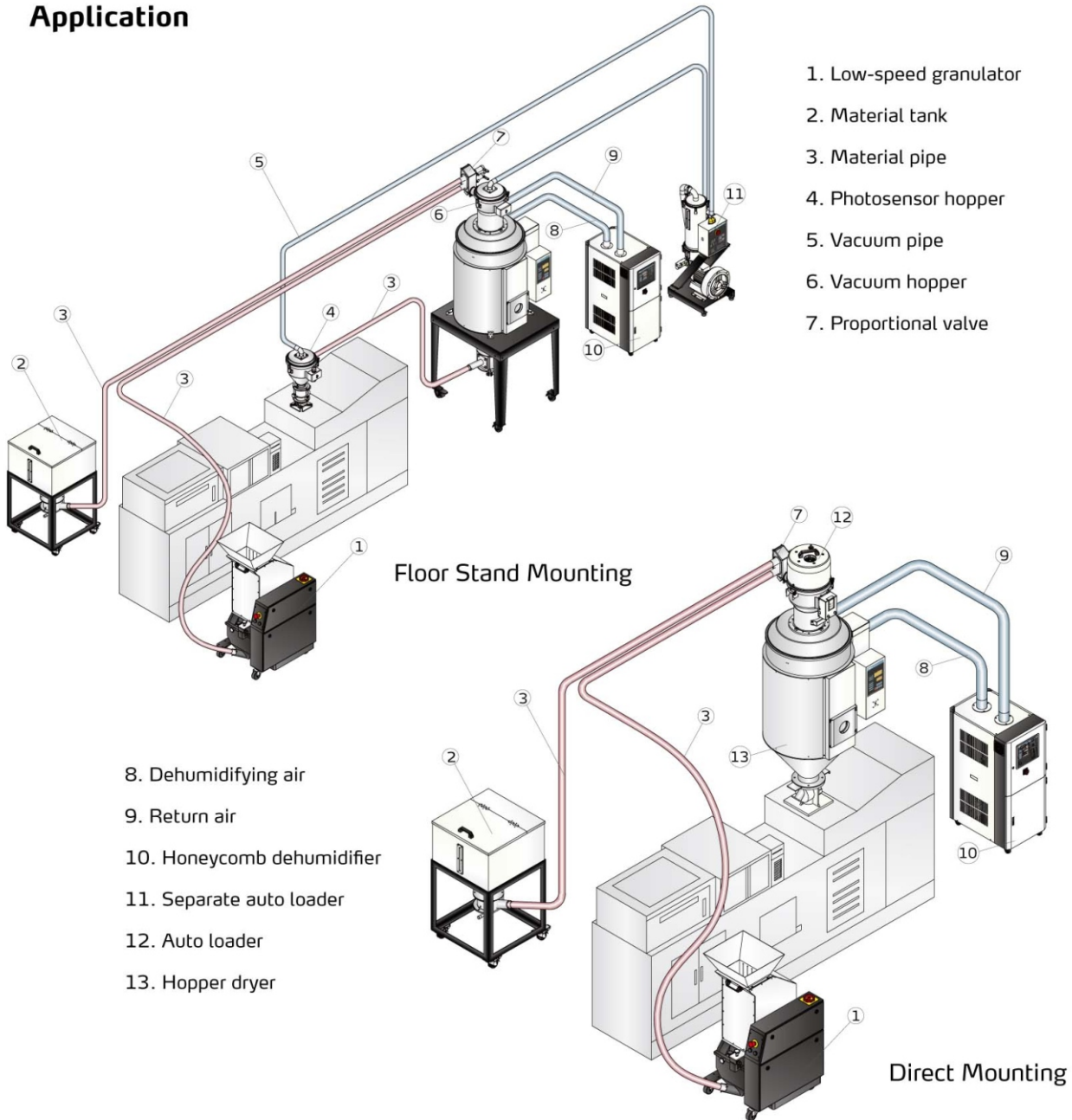


Shut-off Suction Box



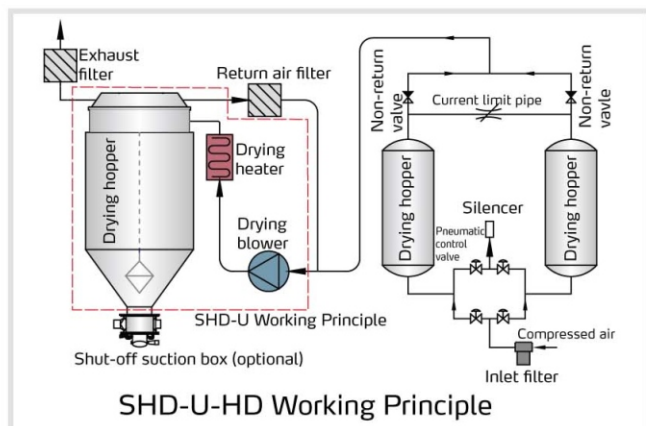
SHD-1500U &
Protective Ladder (Optional)

Application



Working Principle

Air blown out of drying blower becomes high temperature drying air after being heated. Through particular down-blowing air pipe, hot air can be equably dispersed in the material storage tank. Hot air recycler can be equipped to filter and recycle the air from the air outlet and form a closed loop circle.



SHD-U Series

Options

Material Suction Box

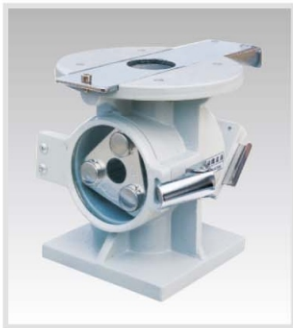
European style appearance design, work with dryer that has floor stand and vacuum loader, suitable for material suction and discharging.



Applied to Model	SHD-20U-120U	SHD-160U and above
SBU	-20-38S	-160-38S
SBU	-20-50S	-160-50S
SBU	-20-38D	-160-38D
SBU	-20-50D	-160-50D

- Notes: 1) Install pneumatic shut off valve (add "V" at the end of model code).
 2) Change into stainless steel model (add "S" at the end of model code).
 3) Suction box inside polished (add "P" at the end of model code).
 4) Single tube suction box (add "S" at the end of model code),
 Double tubes suction box (add "D" at the end of model code).

Magnetic Base



Including aluminum and stainless steel types which can work with dryers to effectively absorb metal scraps to avoid material contamination.

Model	MB-12	MB-20U	MB-50	MB-40U	MB-100	MB-160 U
Applied to	SHD-20U		SHD-40U-120U		SHD-160U-450U	
Hopper Magnet	MR-3					
Aluminum Holder×2	mm		88.5×78×2.3		118.5×105×2.3	
	Inch		3.5 × 3.0 × 0.09		4.7×4.1×0.09	

Notes: "U" represents stainless steel base.

Hopper Magnet

Absorb metal scraps in the material to avoid the damage of molding screw.



Model Item	MR-5	MR-7	MR-9	MR-11	
Applied to	SHD-20U	SHD-40U-120U	SHD-160U-750U	SHD-900U and above	
Aluminum Holder×2	mm	148×80×2.3	190×80×2.3	240×80×2.3	298×80×2.3
	Inch	5.8×3.1×0.09	7.5×3.1×0.09	9.4×3.1×0.09	11.7×3.1×0.09

Floor Stand

Support dryer and hopper loader, easy for installation and transportation.



Applicable to SHD-20U~750U

Model	Applied to	Dimension					
		L		W		H	
		mm	Inch	mm	Inch	mm	Inch
FSU-20	SHD-20U	550	21.7	450	17.7	790	31.1
FSU-40	SHD-40U	580	22.8	450	17.7	790	31.1
FSU-80	SHD-80U / 120U	722	28.4	552	21.7	840	33
FSU-160	SHD-160U / 230U	795	31.3	652	25.7	920	36.2
FSU-300	SHD-300U / 450U	930	36.6	790	31.1	970	38.2
FSU-600	SHD-600U / 750U	1200	47.2	1000	39.4	1130	44.5

Blower Inlet Filter

Effectively filters 80% of the dust contained in the air to dryer to avoid pollution.



Model	Filter Barrel Dia.		Air Inlet Pipe Dia. (inch)	Air Outlet Pipe Dia. (inch)	Applied to	Fixed Plate	Blower Flange (with Air Quality Adjustor)
	mm	Inch					
AIF-20U	160	6.3	1.5	2	SHD-20U	SHD-20U	for 0.12kW Blower
AIF-40U	160	6.3	1.5	2	SHD-40U	SHD-40U	for 0.12kW Blower
AIF-80U	225	8.9	2	3	SHD-80U/120U	SHD-80U/120U	for 0.12kW Blower
AIF-160U	225	8.9	2.5	3	SHD-160U/230U	SHD-160U/230U	for 0.12kW Blower
AIF-300U	225	8.9	2.5	4	SHD-300U/450U	SHD-300U/450U	for 0.18kW Blower
AIF-600U	225	8.9	3	4	SHD-600U/750U	SHD-600U/750U	for 0.55kW Blower
AIF-900U	225	8.9	4	4	SHD-900U	SHD-900U/1200U	for 0.55kW Blower
AIF-1200U	225	8.9	4	4	SHD-1200U	SHD-900U/1200U	for 1.1kW Blower
AIF-1500U	280	11	5	5	SHD-1500U/2000U	SHD-1500U/2000U	for 3kW Blower
AIF-2500U	340	13.4	6	6	SHD-2500U/3500U	SHD-2500U/3500U	for 5.5kW Blower
AIF-4000U	340	13.4	8	8	SHD-4000U/5000U	SHD-4000U/5000U	for 7.5kW Blower
AIF-6000U	420	16.5	8	8	SHD-6000U/7000U	SHD-6000U/7000U	for 12kW Blower
AIF-8000U	420	16.5	10	10	SHD-8000U	SHD-8000U	for 22kW Blower

Hot Air Recycler

Work with hopper dryer to make hot air form a semi closed circulated loop, it has features as follows: Hot air recycling and circulating to avoid indoor temp. rising up; Keep air in factory clean and ensure product quality; Save energy consumption up to 40% due to heat brought from hot air recycling; Economical and compact design make it suitable for all hopper dryers; Air supply is adjustable.



Model	Filter Barrel Dia.		Air Inlet Pipe Dia. (inch)	Air Outlet Pipe Dia. (inch)	Applied to	Fixed Plate	Blower Flange (with Air Quality Adjustor)
	mm	Inch					
HAR-20U	160	6.3	1.5	2	SHD-20U	SHD-20U	for 0.12kW Blower
HAR-40U	160	6.3	1.5	2	SHD-40U	SHD-40U	for 0.12kW Blower
HAR-80U	225	8.9	2	3	SHD-80U / 120U	SHD-80U / 120U	for 0.12kW Blower
HAR-160U	225	8.9	2.5	3	SHD-160U / 230U	SHD-160U / 230U	for 0.12kW Blower
HAR-300U	225	8.9	2.5	4	SHD-300U / 450U	SHD-300U / 450U	for 0.18kW Blower
HAR-600U	225	8.9	3	4	SHD-600U / 750U	SHD-600U / 750U	for 0.55kW Blower
HAR-900U	225	8.9	4	4	SHD-900U	SHD-900U / 1200U	for 0.55kW Blower
HAR-1200U	225	8.9	4	4	SHD-1200U	SHD-900U / 1200U	for 1.1kW Blower
HAR-1500U	280	11	5	5	SHD-1500U/2000U	SHD-1500U/2000U	for 3kW Blower
HAR-2500U	340	13.4	6	6	SHD-2500U/3500U	SHD-2500U/3500U	for 5.5kW Blower
HAR-4000U	340	13.4	8	8	SHD-4000U/5000U	SHD-4000U/5000U	for 7.5kW Blower
HAR-6000U	420	16.5	8	8	SHD-6000U/7000U	SHD-6000U/7000U	for 12kW Blower
HAR-8000U	420	16.5	10	10	SHD-8000U	SHD-8000U	for 22kW Blower

Exhaust Air Filter

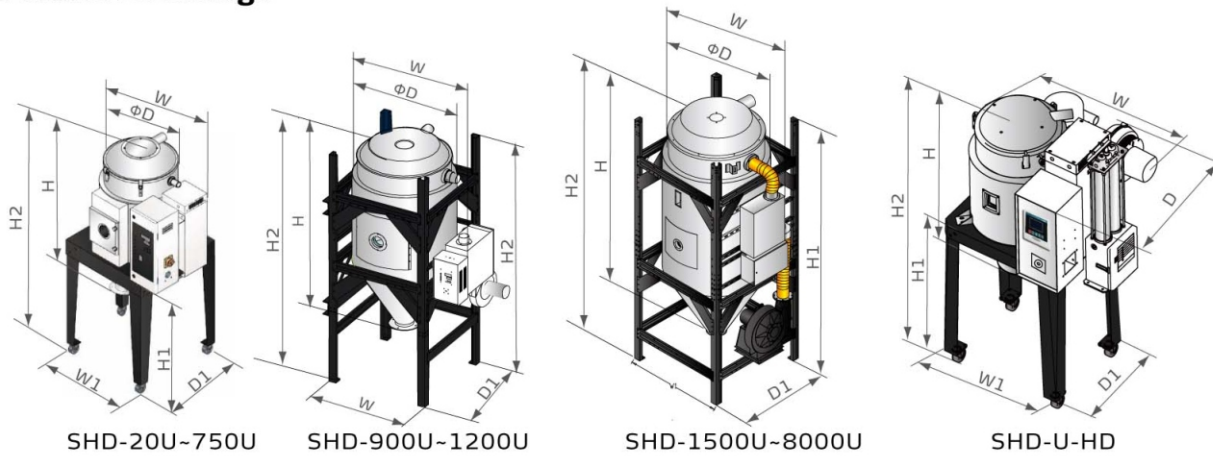
Effectively filters 90% of the dust contained in the air from dryer to avoid pollution.



Model	Filter Barrel Dia.		Air Inlet Pipe Dia. (inch)	Air Outlet Pipe Dia. (inch)	Applied to	Fixed Plate
	mm	Inch				
ADC-20U	159	6.2	1.5	2	SHD-20U	SHD-20U
ADC-40U	159	6.2	1.5	2	SHD-40U	SHD-40U
ADC-80U	225	8.9	2	3	SHD-80U/120U	SHD-80U/120U
ADC-160U	225	8.9	2.5	3	SHD-160U/230U	SHD-160U/230U
ADC-300U	225	8.9	2.5	4	SHD-300U/450U	SHD-300U/450U
ADC-600U	225	8.9	3	4	SHD-600U/750U	SHD-600U/750U
ADC-900U	225	8.9	4	4	SHD-900U/1200U	SHD-900U/1200U
ADC-1500U	280	11	5	5	SHD-1500U/2000U	SHD-1500U/2000U
ADC-2500U	340	13.4	6	6	SHD-2500U/3500U	SHD-2500U/3500U
ADC-4000U	340	13.4	8	8	SHD-4000U/5000U	SHD-4000U/5000U
ADC-6000U	420	16.5	8	8	SHD-6000U/7000U	SHD-6000U/7000U
ADC-8000U	420	16.5	10	10	SHD-8000U	SHD-8000U

SHD-U Series

Outline Drawings



Specifications

Model	SHD-20U	40U (-HD)	80U (-HD)	120U (-HD)	160U	230U	300U	450U	600U	750U	900U	1200U	1500U	2000U	2500U	3000U	3500U	4000U	5000U	6000U	7000U	8000U		
Heater Power (kW)	2.2	3	3.9	3.9	6	6	12	12	18	18	18	24	32	32	58	58	64	64	80	96	112	128		
Blower (kW)	0.05	0.12	0.12	0.12	0.12	0.12	0.18	0.18	0.55	0.55	0.55	1.1	3	3	5.5	5.5	7.5	7.5	11	15	18.5	22		
Hopper Capacity	L	20	40	80	120	160	230	300	450	600	750	900	1200	1500	2000	2500	3000	3500	4000	5000	6000	7000	8000	
	gal	5.3	10.6	21	31.7	42.3	60.8	79.3	118.9	158.5	198	237.8	317	396	528	660	793	925	1057	1321	1585	1849	2113	
Dimension	H	mm	730	760	940	1210	1225	1505	1450	1850	1820	2100	2173	2598	3170	3590	3735	4135	4535	4370	4860	4600	5830	6030
		Inch	28.7	29.9	37	47.6	48.2	59.3	57	72.8	71.7	82.7	85.6	102	125	141	147	163	179	172	191	181	230	237
	W	mm	575	790	885	885	822	822	945	945	1170	1170	1410	1410	1640	1542	1798	1798	1798	2010	2010	2250	2250	2250
		Inch	22.6	31	34.8	34.8	32.4	32.4	37.2	37.2	46	46	55.5	55.5	64.6	60.7	70.8	70.8	70.8	79	79	88.6	88.6	88.6
	D	mm	325	394	472	472	575	575	695	695	915	915	1050	1050	1250	1250	1400	1400	1400	1600	1600	1800	1800	1800
		Inch	12.8	15.5	18.6	18.6	22.6	22.6	27.4	27.4	36	36	41.3	41.3	49.2	49.2	55	55	55	63	63	71	71	71
Floor Stand	H1	mm	790	790	840	840	920	920	970	970	1130	1130	2760	3190	3470	3870	4000	4400	4800	4550	5150	4870	5370	5620
		Inch	31	31	33	33	36.2	36.2	38	38	44.5	44.5	109	126	137	152	157	173	189	179	203	192	211	221
	W1	mm	450	580	730	730	652	652	790	790	1000	1000	1130	1145	1340	1340	1482	1482	1482	1680	1680	1930	1930	1930
		Inch	17.7	22.8	28.7	28.7	25.7	25.7	31	31	39.4	39.4	44.5	45	52.8	52.8	58.3	58.3	58.3	66	66	76	76	76
	D1	mm	550	450	560	560	795	795	930	930	1200	1200	1130	1145	1340	1340	1482	1482	1482	1680	1680	1930	1930	1930
		Inch	21.7	17.7	22	22	31.3	31.3	36.6	36.6	47.2	47.2	44.4	45	52.8	52.8	58.3	58.3	58.3	66	66	76	76	76
H2	mm	1260	1300	1480	1740	1825	2105	2085	2435	2470	2780	2765	3190	3470	3870	4000	4400	4800	4635	5235	4923	6330	6425	
	Inch	49.6	51	58.3	68.5	71.9	82.9	82	96	97.2	109	108.8	125.6	136.6	152.4	157.5	173	189	182.5	206	193.8	249	253	
Air Inlet Pipe (inch)	2		2.5		3			4			4		5		6			8		10				
Air Outlet Pipe (inch)	1.5		2		2.5			3			4		5		6			8		10				
Net Weight	kg	40	70	85	100	90	100	130	160	200	220	410	560	685	770	800	900	1010	1160	1390	1530	1735	1820	
	lb	88	154	187	220	198	220	287	353	441	485	904	1235	1510	1698	1764	1984	2227	2557	3064	3373	3825	4012	

Notes: 1) Power: 3Φ, 230/400/460/575VAC, 50/60Hz.

We reserve the right to change specifications without prior notice.

Shini Group

Addr.: No. 23, Minhe St., Shulin Dist.,
New Taipei, Taiwan

Tel: +886 2 2680 9119

Fax: +886 2 2680 9229

Email: shini@shini.com

Factories:

- Taiwan
- Dongguan
- Pinghu
- Ningbo
- Mumbai

2015-03-15-04 Copyrights Reserved.

www.shini.com