



SLWF-300

Loss-in-weight Feeder

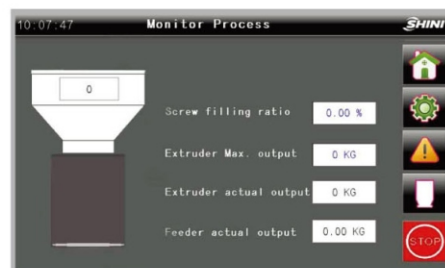
Features

Standard configuration

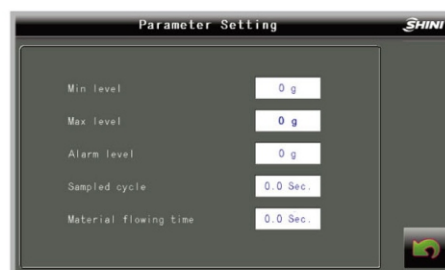
- Easy to used color touch screen.
- SIEMMENS PLC controller with P.I.D. control of motor speed ensures stable feeding.
- Screw is made of wear-resisting stainless steel to avoid material contamination.
- Adopt integrated screws design, different screw assemblies can be chosen to process different materials.
- Loss-in-weight principle is adopted in material feeding to achieve continuity, stability and accuracy.
- Material storage hopper is standard equipped.

Accessory option

- Ethernet communication is optional realizes regularly feeding and product quality controlling.
- Material suction assembly which including vacuum generator, vacuum hopper and relevant electrical and pneumatic components are optional.
- Multiple ingredients feeding control assembly can be opted to proportionally feed multiple ingredients.
- Multiple screw assembly can be opted to process different materials with different properties and throughput.



Monitor Screen



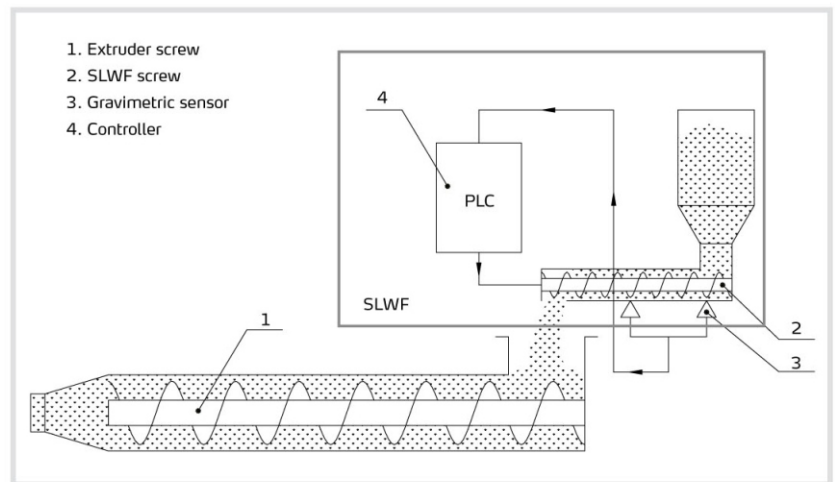
Parameter Setting

Application

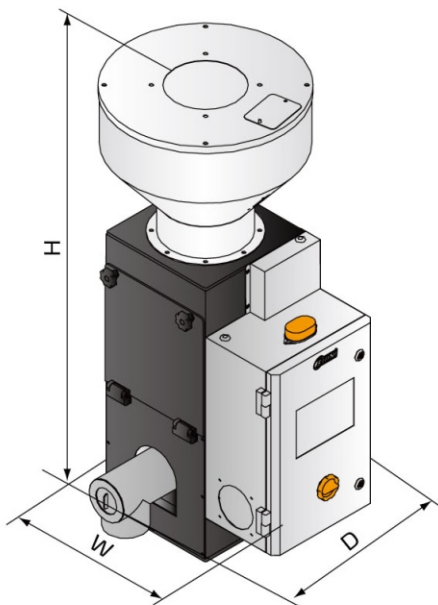
SLWF loss-in-weight feeders are suitable for starve feeding, especially for double-screw extruder applications with which the screws can be effectively saved and product quality can be greatly improved.

Working Principle

During extruder operation, transducer outputs the same voltage and current signal to both the extruder and the feeder. With the signal and parameters input in the touch screen, the feeder can automatically calculate the relevant throughput of the extruder. By setting the feeding proportion of feeder, the materials are to some extent fed in the screw incompletely. Thus hungry feeding is achieved.



Outline Drawing



Specifications

Model	SLWF-300		
Motor Power (kW)	0.09		
Screw Outer Dia. (mm)	80		
Throughput (kg/hr)	300		
Hopper Capacity (L)	24		
Dimension (mm)	H	W	D
	1210	600	670
Weight (kg)	115		

Notes: 1) Power supply: 3Φ, 400VAC, 50Hz.

2) Throughput is tested on the bases of bulk density 0.8kg/L and material granules with 2-3mm in diameter and 3-4mm in length.

Shini Group

Addr.: No. 23, Minhe St., Shulin Dist., New Taipei, Taiwan

Tel: +886 2 2680 9119

Fax: +886 2 2680 9229

Email: shini@shini.com