



Water Heater

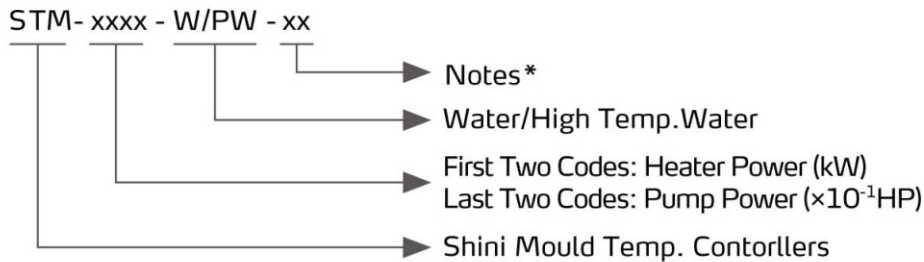
STM-607-W



Refer carefully to this manual before operation.

STM-W Series

■ Coding Principle



Notes*:

D= Dual-heating Zones M= Magnepic Pump (STM-3650W series excluded)
CE= CE Conformity B= Buzzer A= water-removing of air blowing

■ Features

Standard configuration

- Controller adopts 3.2" LCD for easy operation.
- Equipped with the design of 7-day automatic start/stop timer. LCD screen can be converted between Chinese and English. The unit of temperature can be converted between °F and °C.
- P.I.D. multi-stage temperature control system can maintain a mould temperature with an accuracy of $\pm 0.5^{\circ}\text{C}/0.9^{\circ}\text{F}$.
- Adopts high efficiency water cycle pump, which can meet the demands of temperature control for precise moulds and mould loop with minor diameter to achieve precise temperature control and high efficiency heat exchange. Pump inside adopts stainless steel to avoid explosion.
- Multiple safety devices including power reverse phase protection, pump overload protection, overheat protection and low level protection that can automatically detect abnormal performance and indicate this via visible alarm.
- For standard STM-W, the heating temperature can reach $120^{\circ}\text{C}/248^{\circ}\text{F}$, while for STM-PW, it can reach $160^{\circ}\text{C}/320^{\circ}\text{F}$.
Equipped with high pressure protection, safety pressure relieving, automatic water supplying and air exhausting.
- STM-PW adopts indirect cooling, which makes temperature control more precise. The low viscosity of water realizes fast heat exchange.
- STM-PW series adopts magnetic pump with stable performance and no leakage, suitable for applications which need long time heating and temperature maintaining.
- Adopted Ethernet communication function to realize central monitoring online.



Control Panel

Accessory option

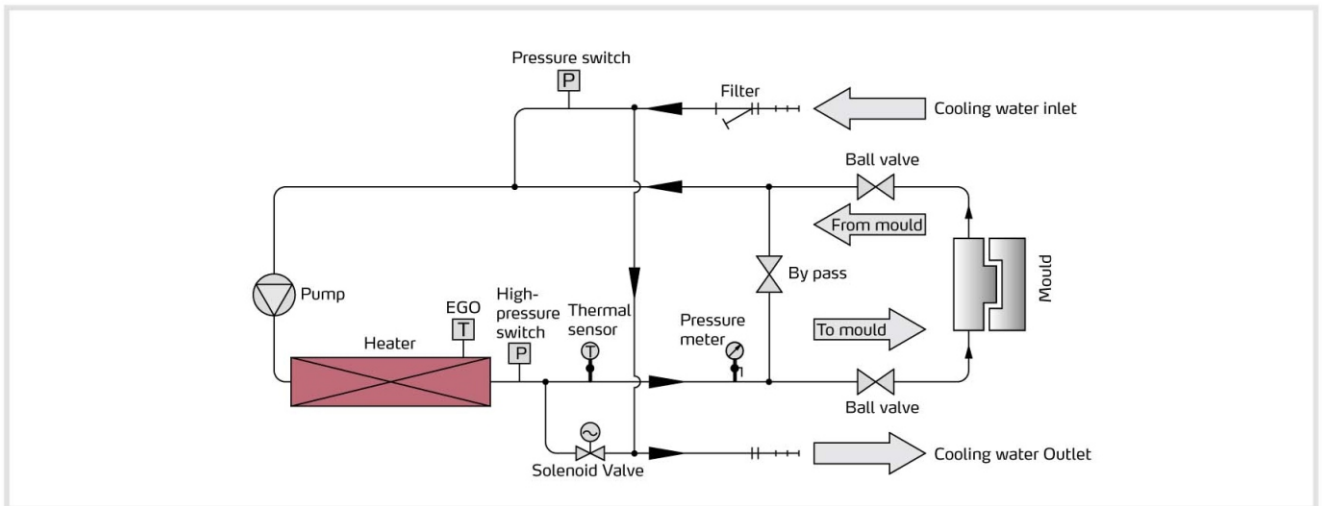
- Water manifolds and Teflon hose are optional.
- Water-removing function of air blowing is optional for STM-W standard machine.
- All models can opt for magnetic pump except for STM-3650W series.
- Displays of mold temperature and return water temperature of mold are optional.

■ Application

STM-W series water heaters have both standard and high temperature models, which are used to heat up the mould and maintain temperature, also they can be used in other similar applications. High temperature water from the mould is returned to the cooling tank and cooled by either indirect cooling (For high temperature and high temperature plus pressure models) or direct cooling (For standard models). It is then pressurised by the high-pressure pump, sent to the heating tank and finally to the mould with a constant temperature. The newly applied temperature controller can maintain an accuracy of $\pm 0.5^{\circ}\text{C}/0.9^{\circ}\text{F}$.

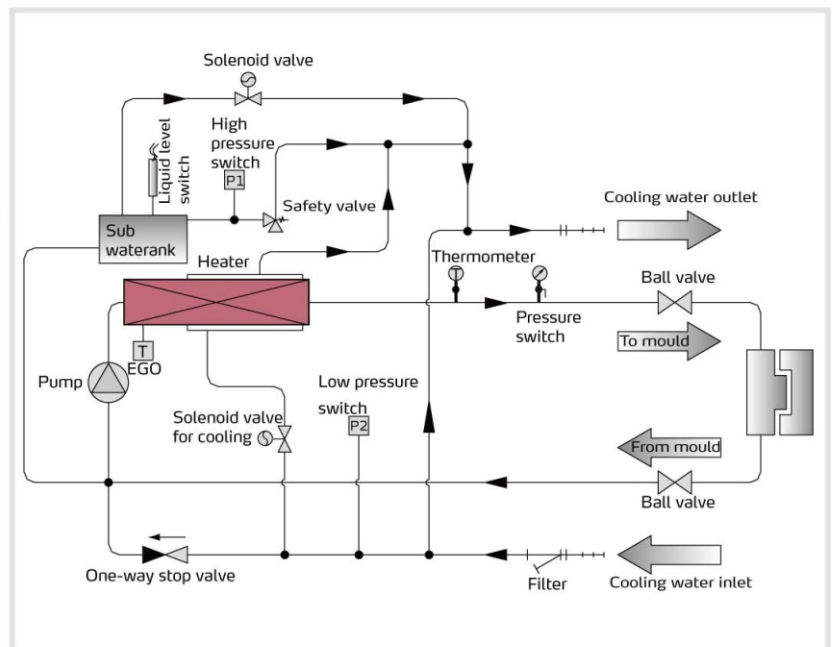
Working Principle

High temperature water returns to the machine and then be pressured by pump to the heaters. After being heated, water will be forced to mould and continue the circle. In the process, if the water temperature is too high, the system will activate the solenoid valve to let cooling water cool down the temperature directly until the water is down to the system requirement. If the temperature keeps increasing and reach to the set point of EGO, system will sound high pressure alarm and stop operation; when system pressure is too high (reach set value of high pressure switch), alarm would sounds and machine halts; when cooling water pressure fails to reach the set value, pressure switch will send a signal of water storage to launch low pressure alarm and machine halts.



System flow for STM-W (Direct Cooling)

The high temperature water from the mold returns to the pump inlet from the pipeline, then be pressurized by the pump and conveyed to the heater and again be heated and returns to the mold. The loop repeats. In this process, when liquid level switch detects the liquid level lowers to the set value and the machine will sound an alarm and halt. If the temperature of the water exceeds the set value, the system will automatically start the solenoid valve to let the cooling water come into the double pipes structure of the heating tank and cool down the water, then a constant temperature can be maintained. If the temperature still maintains high to the EGO set value, the system will sound an alarm and halt; when system pressure exceeds set value of high pressure switch, machine halts and sound an alarm. If the pressure continues rising to the set value of the safety valve, the safety valve starts to decompress the system.



STM-PW(160°C/320°F) System Flow Chart

STM-W Series

Specifications

STM-W

Model		STM-607-W	STM-607-W-D	STM-910-W	STM-910-W-D	STM-1220-W	STM-2440-W	STM-3650-W
Max.Temp.		120°C/248°F(140°C/284°F)**						
Pipe Heater(kW)		6	6×2	9	9×2	12	24	36
Pump Power(kW) (50/60Hz)		0.55/0.63	2×0.55 2×0.63	0.75/0.92	2×0.75 2×0.92	1.5/1.9	2.8/3.4	3
Max. pump Flow (50/60Hz)	L/min	27/30	2×27 2×30	42/50	2×42 2×50	74/84	90/90	100/100
	gal/min	7.1/7.9	2×7.1 2×7.9	11/13.2	2×11 2×13.2	19.5/22	23.8/23.8	26.4/26.4
Max. pump Pressure(bar)(50/60Hz)		3.8/5	3.8/5	5.0/6.4	5.0/6.4	6.2/7.2	8.0/10.2	8.0/8.0
Heating Tank Number		1	2	1	2	1	2	4
Heating Tank Capacity	L	3.0	2×3.0	3.0	2×3.0	3.0	7.4	17.7
	gal	0.8	2×0.8	0.8	2×0.8	0.8	2.0	4.7
Cooling Method		Direct						
Mould Coupling* (inch)		3/8 (2×2)	3/8 (4×2)	3/8 (2×2)	3/8 (4×2)	1 (1×2)	1 (1×2)	1 (1×2)
Inlet/Outlet (inch)		3/4 / 3/4	3/4 / 3/4	3/4 / 3/4	3/4 / 3/4	1 / 1	1 / 1	1 / 1
Dimensions (H×W×D)	mm	605×320×740	655×590×760	605×320×740	655×590×760	615×320×775	820×360×963	980×467×1011
	inch	23.6×12.5×28.9	25.5×23×29.6	23.6×12.5×28.9	25.5×23×29.6	24×12.5×30.2	32×14×37.6	38.2×18.2×39.4
Weight	kg	55	95	60	105	69	140	150
	lb	121	209	132	231	151.8	308	330

Notes: 1) "D" stands for dual-heating zones, "**" stands for options.

2) When equipped with water-removing function of air blowing, model code should be followed by "A".

3) In order to maintain stable temp. of heat transfer media(120°C/248°F), cooling water pressure should be no less than 2kgf/cm², but also no more than 5kgf/cm².

4) Pump testing standard: Power of 50/60Hz, purified water at 20°C/68°F.
(There is ±10% tolerance for either max. flowrate or max.pressure).

5) Power supply: 3Φ, 230/400/460/575VAC, 50/60Hz.

6) "***" stands for for heating the machine to 140°C/284°F, cooling water pressure should not be lower than 4kgf/cm².

We reserve the right to change specifications without prior notice.

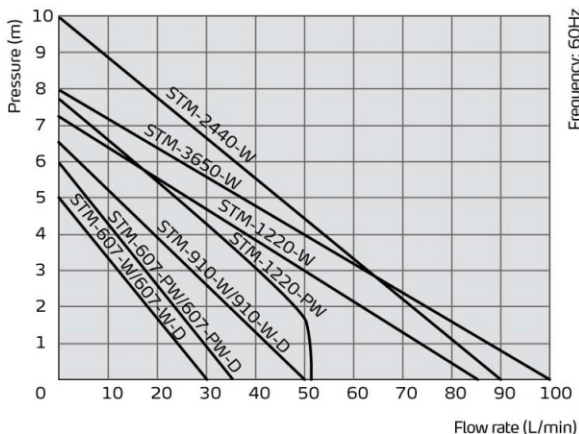
STM-PW

Model	STM-607-PW		STM-607-PW-D		STM-1220-PW	
Max. Temp.	160°C/320°F					
Pipe Heater(kW)	6		6×2		12	
Pump Power(kW) (50/60Hz)	0.55/0.63		2×0.55 2×0.63		1.0/1.0	
Max. pump Flow (50/60Hz)	L/min	27/30		2×27 2×30		50/50.8
	gal/min	7.1/7.9		2×7.1 2×7.9		13.2/13.4
Max. pump Pressure(bar)(50/60Hz)	4.25/5.9		4.25/5.9		5.8/7.77	
Heating Tank Number	1		2		1	
Heating Tank Capacity	L	3.0		3.2		
	gal	0.79		0.85		
Cooling Tank Capacity	L	3.0		3.2		
	gal	0.79		0.85		
Cooling Method	Indirect					
Mould Coupling* (inch)	3/8 (2×2)		3/8 (4×2)		3/8 (2×2)	
Inlet/Outlet (inch)	3/4 / 3/4					
Dimensions (H×W×D)	mm	655×320×750		655×640×750		655×320×900
	inch	25.5×12.5×29.3		25.5×25×29.3		25.5×12.5×35.1
Weight	kg	75		135		80
	lb	165		297		176

- Notes: 1) "PW" stands for high temp, "D" stands for dual-heating zones, "*" stands for options.
 2) To ensure stable water temperature, cooling water pressure should not be less than 2kgf/cm², but also no more than 5kgf/cm².
 3) Pump testing standard: Power of 50/60Hz, purified water at 20°C/68°F. (There is ±10% tolerance for either max. flowrate or max. pressure).
 4) Power supply: 3Φ, 230/400/460/575VAC, 50/60HZ.

We reserve the right to change specifications without prior notice.

Pump Performance



Reference formula of Mould Controllers model selection

$$\text{Heater Power (kW)} = \text{mould weight (kg)} \times \text{mould specific heat (kcal/kg}^\circ\text{C)} \times \text{temperature difference between mould and environment (}^\circ\text{C)} \times \text{safety coefficient} / \text{heating duration} / 860$$

Notes: safety coefficient range 1.3~1.5.

$$\text{Flow Rate (L/min)} = \text{heater power (kW)} \times 860 / [\text{heating medium specific (kcal/kg}^\circ\text{C)} \times \text{heating medium density (kg/L)} \times \text{in/outlet temperature difference (}^\circ\text{C)} \times \text{time (60)}]$$

Notes: Water specific heat =1kcal/kg°C
 Heating medium oil specific heat =0.49kcal/kg°C
 Water density =1kg/L
 Heating medium oil density =0.842kg/L

Time for heating=the time needed to heat from room temperature to set temperature

Shini Group

Addr: No. 23, Minhe St., Shulin Dist.,
New Taipei, Taiwan

Tel: +886 2 2680 9119

Fax: +886 2 2680 9229

Email: shini@shini.com

Factories:

- Taiwan
- Dongguan
- Pinghu
- Ningbo
- Chongqing
- Mumbai

2015-01-15-04 Copyrights Reserved.

www.shini.com