



Granulating & Recycling

Belt Conveyor

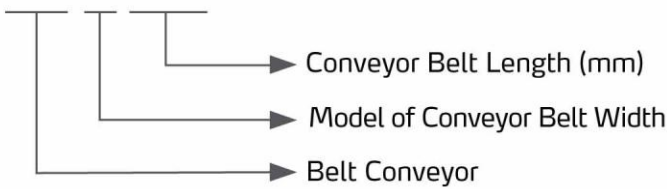
Simple Solution



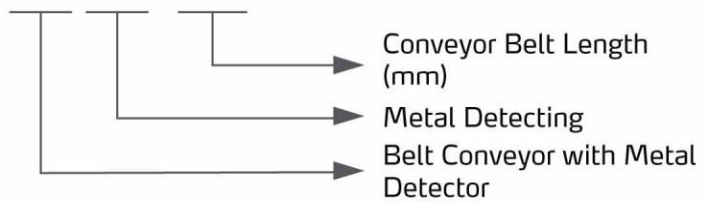
Belt Conveyor

■ Coding Principle

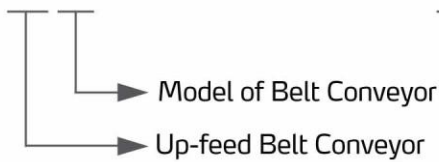
PNL - x - Lxxxx



PNL - MS - Lxxx



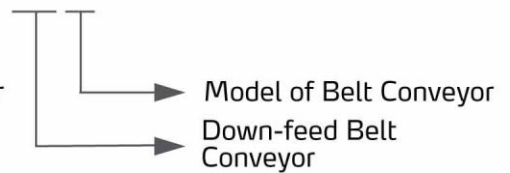
CB - x



CBD -x



SV -x



■ Features

- Mounted on patented "FUTURE" floor stand.
- PVC belt is adopted for smooth and efficient conveying.
- Height adjustable floor stand. PNL series 1~2m meters of conveying belt has angel adjustable function with a range of 0°~25°.
- CB series has material fence to facilitate regrind conveying, optionally available for PNL series.
- Sidewalls for PNL-MS series, CB (CBD) series, SV series and PNL series are 100mm, 95 mm, 34 mm and 75 mm respectively.
- CBD/CB/SV/PNL series are equipped with speed regulators as standard. The safe regulating range for normal use is 3~6m/min (the scale on control panel is 4.5~10).
- Release signal socket for sprue picker is an option for SV series.
- Equip with channel metal detector to detect effectively the metal in the channel.
- PNL-MS series conveying speed could be adjusted within 1.3~8 m/min by transducer which is standard configuration.
- Maximum loading capacity of CB, CBD, PNL, SV series is 56kg, PNL-MS series is 150kg.
- PNL-MS-L3500 minimum detectable diameter (metal ball) is $\Phi 5\text{mm}$.
- PNL-MS-L4500 minimum detectable diameter (metal ball) is $\Phi 8.7\text{mm}$.
- Power supply for CB, CBD, PNL and SV series are 1 Φ , 230V, 50 /60Hz.
- Power supply for PNL-MS and SV series are 3 Φ , 400VAC, 50Hz/ 60Hz.



CBD-12



PNL-2



PNL-MS-L3500



SV-1

Application

Shini manufactures five model of belt conveyor as follows under technical license from a leading european manufacturer:

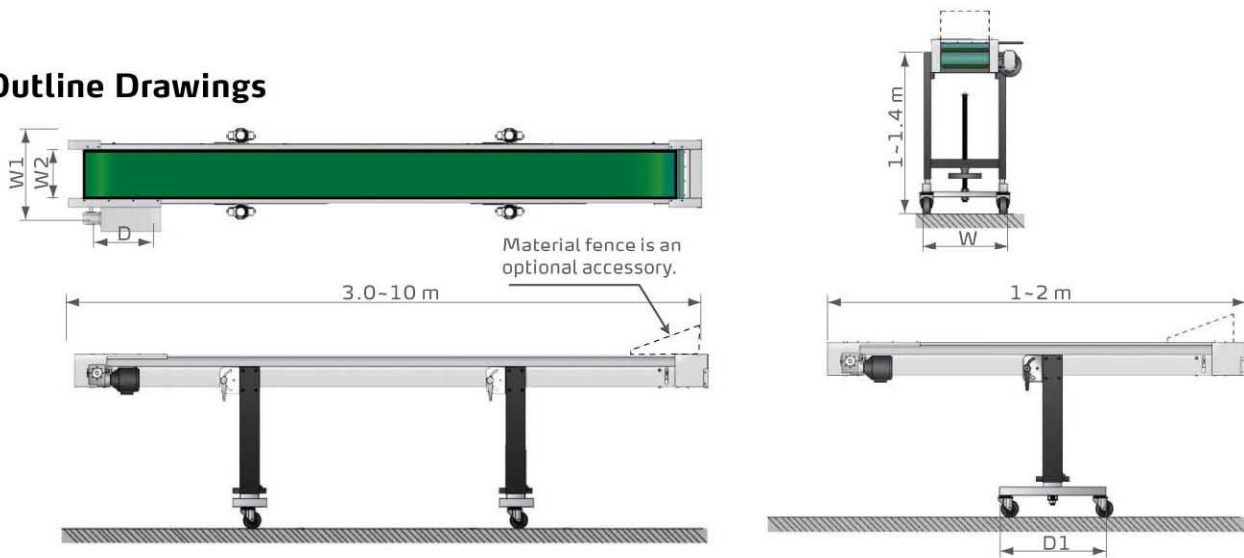
PNL series conveyors feature reliable performance and ease of operation and are suitable for use with CB or SV series conveyors or as stand-alone units.

PNL-MS series belt conveyor with metal detector is a device which can detect the metal contained in the material during conveying and simultaneously activate the alarm.

CBD series conveyors feature reliable performance and ease of operation and are suitable for conveying finished products to separator to separate product from its connecting sprues. The height is adjustable.

SV series conveyors feature reliable performance and ease of operation and are suitable for conveying.

Outline Drawings

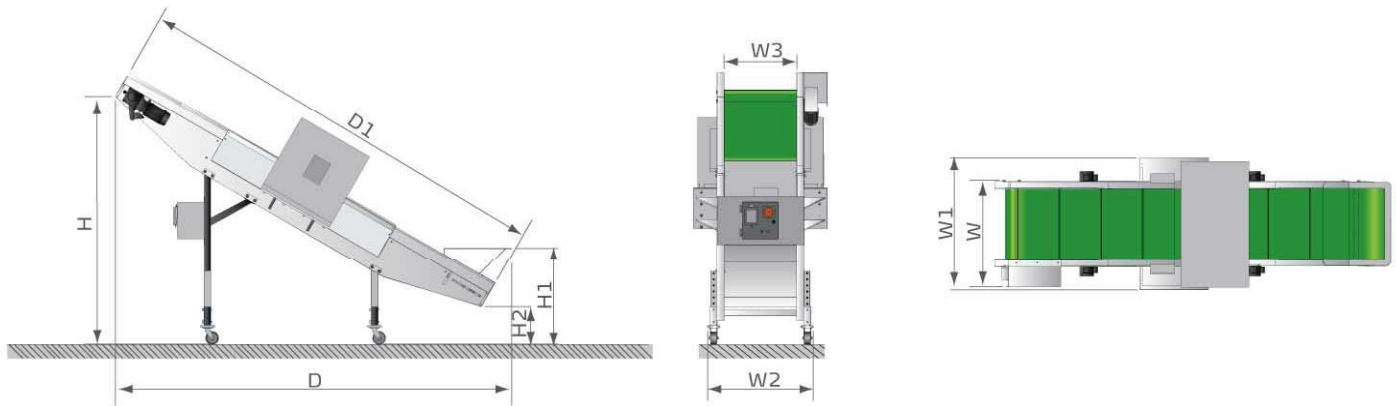


PNL Outline Drawings

Model	PNL-1	PNL-2	PNL-3	PNL-4	PNL-5	PNL-6	PNL-7	PNL-8
W(mm)	440	520	590	720	820	1020	1220	1420
W1(mm)	450	530	600	730	830	1030	1230	1430
W2(mm)	220	300	370	500	600	800	1000	1200
D(mm)	500	500	500	500	500	500	500	500
D1(mm)	650	650	650	650	650	650	650	650
Weight (kg)	93	100	106	117	126	143	160	180

We reserve the right to change specifications without prior notice.

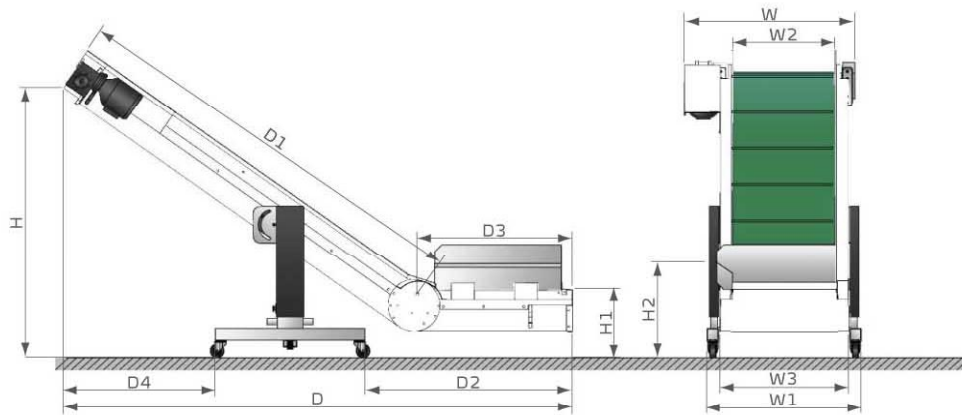
Belt Conveyor



PNL-MS Outline Drawings

Model	PNL-MS-L3500	PNL-MS-L4500
W (mm)	895	1295
W1 (mm)	1105	1505
W2 (mm)	880	1280
W3 (mm)	600	1000
D (mm)	3285	4150
D1 (mm)	3500	4500
H (mm)	2060	2560
H1 (mm)	805	805
H2 (mm)	310	310
Weight (kg)	420	670

We reserve the right to change specifications without prior notice.

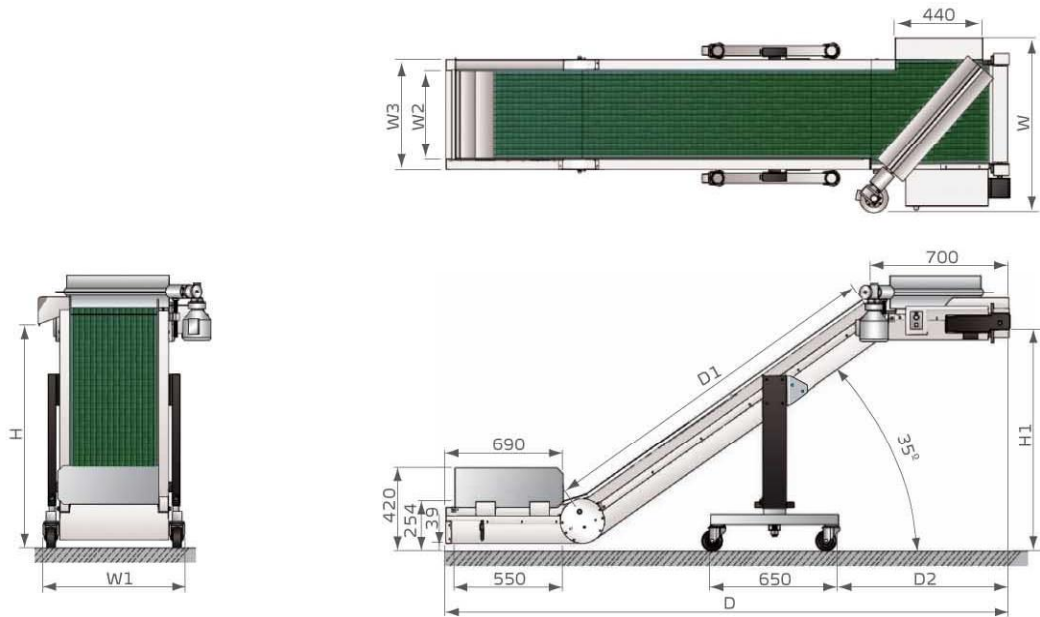


CB Outline Drawing

Model	CB-1	CB-2	CB-3	CB-4	CB-5	CB-6
H (mm)	940+65	940+65	940+65	1168+145	1168+145	1168+145
H1 (mm)	262+65	262+65	262+65	200+145	200+145	200+145
H2 (mm)	405+65	405+65	405+65	343+145	343+145	343+145
W (mm)	533	603	733	533	603	733
W1 (mm)	483	553	683	483	553	683
W2 (mm)	250	320	450	250	320	450
W3 (mm)	359	429	559	359	429	559
D (mm)	1815	1815	1815	2225	2225	2225
D1 (mm)	1300	1300	1300	1800	1800	1800
D2 (mm)	845	845	845	909	909	909
D3 (mm)	690	690	690	690	690	690
D4 (mm)	520	520	520	665	665	665
Weight (mm)	92	102	112	100	100	120

We reserve the right to change specifications without prior notice.

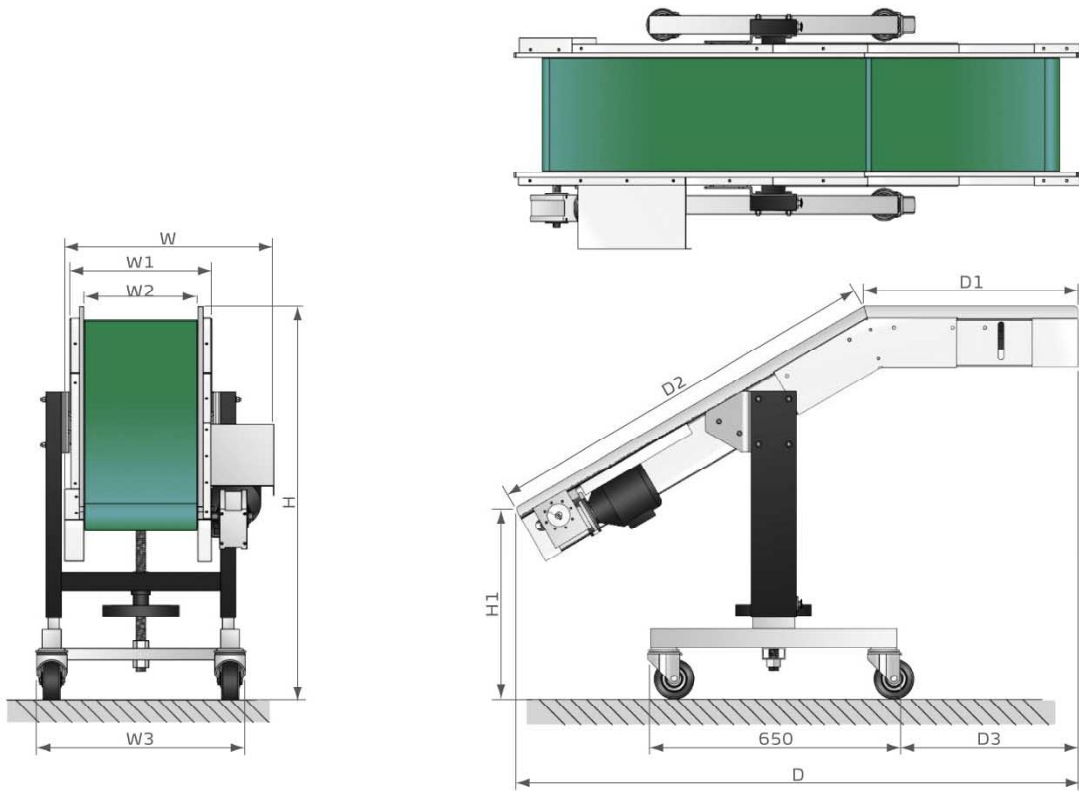
Belt Conveyor



CBD Outline Drawings

Model	CBD-7	CBD-8	CBD-9	CBD-10	CBD-11	CBD-12
H(mm)	855+70	855+70	855+70	1140+140	1140+140	1140+140
H1(mm)	797+70	797+70	797+70	1083+140	1083+140	1083+140
W(mm)	650	730	880	650	730	880
W1(mm)	506	576	706	506	576	706
W2(mm)	250	320	450	250	320	450
W3(mm)	358	428	558	358	428	558
D(mm)	2455	2455	2455	2865	2865	2865
D1(mm)	1300	1300	1300	1800	1800	1800
D2(mm)	747	747	747	870	870	870
Weight	130	140	155	135	150	169

We reserve the right to change specifications without prior notice.



SV Outline Drawings

Model	SV-1	SV-2	SV-3	SV-4	SV-5	SV-6
H(mm)	1000~1400	1000~1400	1000~1400	1250~1650	1250~1650	1250~1650
H1(mm)	525~925	525~925	525~925	525~925	525~925	525~925
W(mm)	550	620	750	620	750	850
W1(mm)	371	441	571	441	571	671
W2(mm)	300	370	500	370	500	600
W3(mm)	490	560	690	560	690	790
D(mm)	1480	1480	1480	1910	1910	1910
D1(mm)	564	564	564	564	564	564
D2(mm)	1062	1062	1062	1562	1562	1562
D3(mm)	410	410	410	480	480	480
Weight	83	88	93	110	120	130

We reserve the right to change specifications without prior notice.

Shini Group

Addr: No. 23, Minhe St., Shulin Dist.,
New Taipei, Taiwan

Tel: +886 2 2680 9119

Fax: +886 2 2680 9229

Email: shini@shini.com

Factories:

- Taiwan
- Dongguan
- Pinghu
- Ningbo
- Mumbai

2013-09-15-04 Copyrights Reserved.

www.shini.com