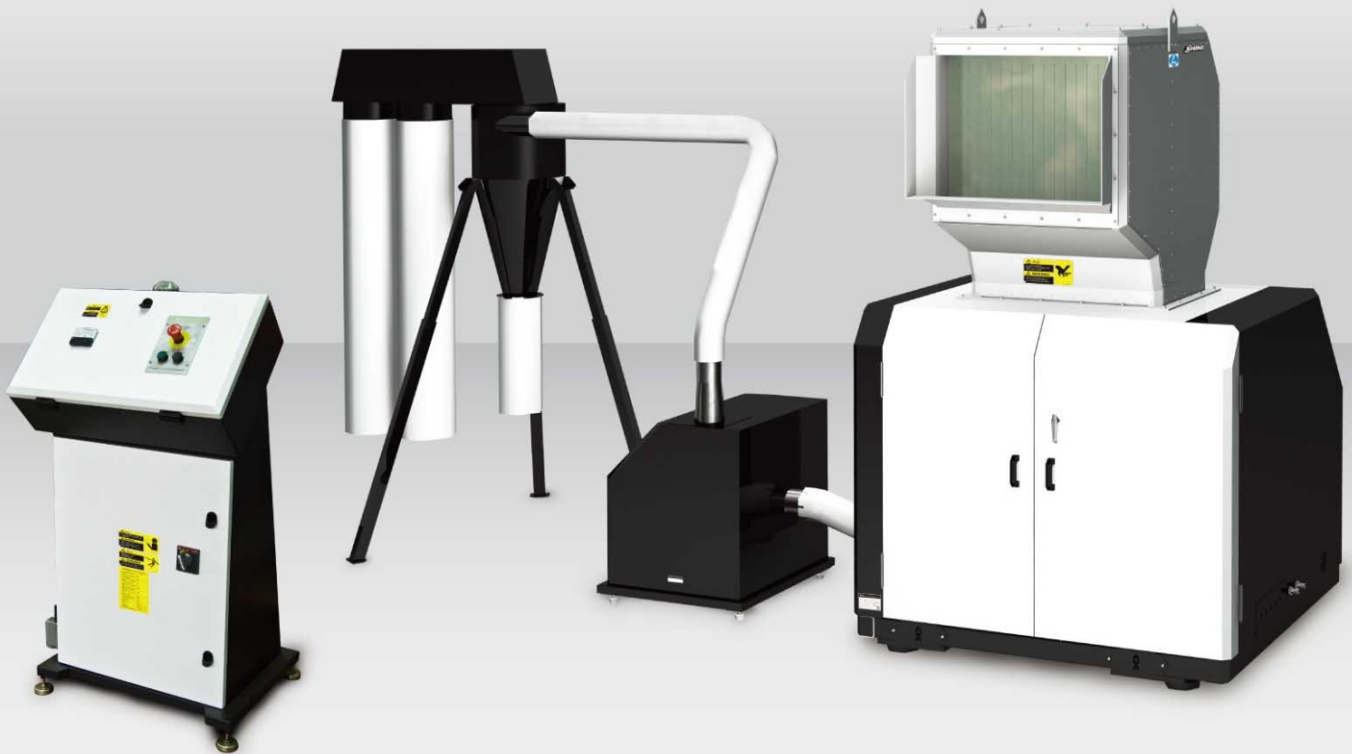


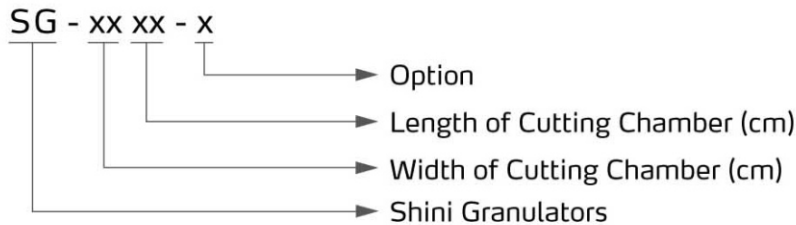
## Sound-proof Central Granulator

SG-5080



Refer carefully to this manual before operation.

## ■ Coding Principle



## ■ Features

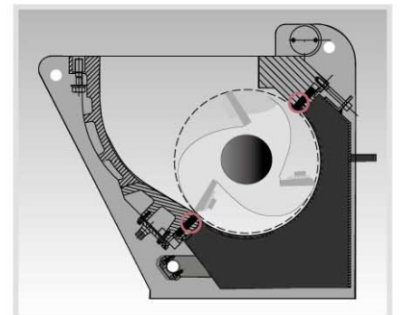
- Rotating cutters adopt newly developed V-type cutting technology which can send the feeding material into the center of rotating cutters so to prevent the material from adhering onto the inner side of the cutting chamber while enhancing its wearability.
- The cutters are made of imported high quality steel featuring wearability, high rigidity, long service life and reusable after sharpening.
- Equipped with presetting knife jig, Rotating blades can be adjusted in the fixture outside the machine inside of machine instead of machine inside. It made blades adjustment must easier.
- Cutting chamber made of high rigidity material, after processing by CNC machine, has the features like high intensity, super wearability, no contamination, long service life and easy for maintenance and repairing.
- Optimized structure and hermetic double sound-proof layers keep noise level low.
- V-type transmission belts help maintain a balanced operation mode, close contact, and also easy to disassemble and repair.
- Feeding box which is opened by electrical handspike with self-lock function ensures safe operation.
- Cooling water device at rear plate of cutting chamber can effectively cool down the cutting chamber and prevent the inside material from melting up.
- Regrind conveying system as standard.
- Equipped with flywheel to improve cutting ability.



SG-5080 Cutting Chamber



Presetting Knife Jig



Two Fixed plus Three Rotating Blades (Low Cutting Point)

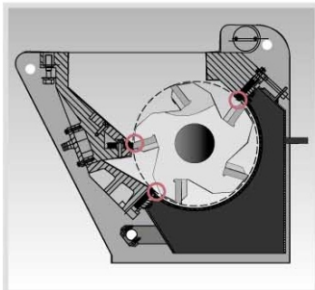
## ■ Application

SG-50 series granulators are applicable to granulate various kinds of plastic materials from injection molding, blow molding or extrusion molding. This series features compact design, easy operation and quick blade replacement. It is great in motor power, cutting chamber size, and output capacity. Gradually inclined cutting and integrated power design offers a better cutting effect and a lower noise level.

# SG-50 Series

## Options

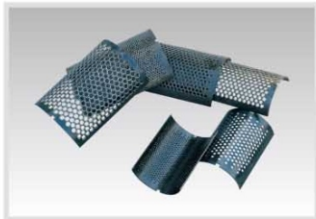
### Three Fixed plus Five Rotating Blades (High Cutting Point)



High cutting point fixed blades model has small inlet space and initially high cutting point. Thus its cutting force is not so strong, which enhances the reliability of cutting solid material. This design is suitable for granulating big solid material with thick wall and sheet.

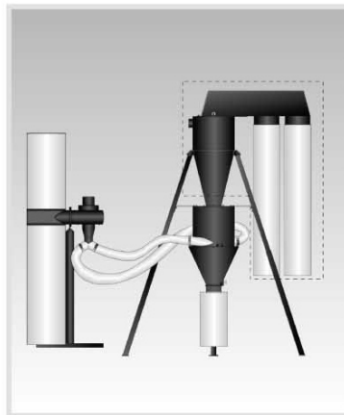
Based on the high cutting point of standard layout, a row of fixed blade is added and makes it a 3 rows of fixed blades so that cutting performance is higher than that of 2 rows of fixed blades. But 3 rows have the same design parameter, features and applications as the 2 rows.

### Special Screens



Special screen mesh sizes:  $\phi 8, \phi 10, \phi 17, \phi 25$  (mm). Add "SS + screen diameter" at the end of model code, e.g.:  $\phi 6$ mm, add "SS06".

### Cyclone dust separator conveying device



Dust Separator can separate the dust in the regrind for immediate recycle use. The dust will be kept in filter bag, thus working environment will remain clean. This device ensures full use of regrind to avoid material wasting and enhance the economy returns. Add "DS" at the end of the model code.

- When granulating fibers reinforced plastics or materials alike (e.g. CPVC), it is suitable to select granulators with special quenching process in for cutting chamber and blades, and also add "F" at end of the model code.
- Modified into stainless steel made feed hopper cover plate and storage tank. Add "R" at model behind.



### Feeding Hopper for Conveyor

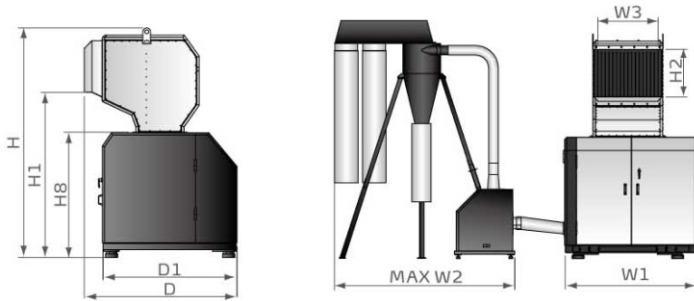
Material feeding for traditional large granulators is quite a difficult matter. They are generally installed at a lower place or a platform must be built for material feeding. Shini has particularly designed the belt conveyor to easily convey the material into the cutting chamber of SG-50 series. Add "BCF" at the end of the model code.

### Material Side Feed Pipe

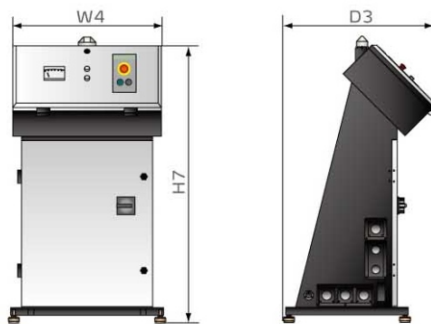
The design of feeding hopper of traditional granulators is not suitable for longer pipes and section bars. We have designed material side feed pipe for convenient feeding of long materials.

Add "SF" at the end of the model code.

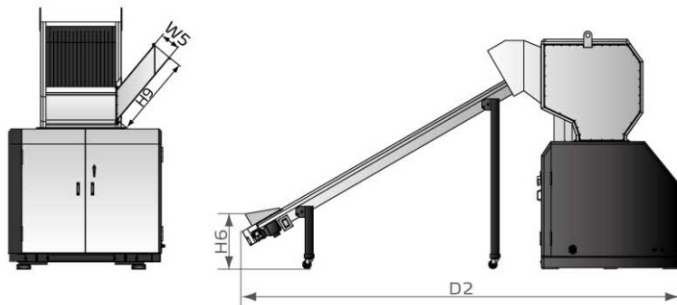
## Outline Drawings



SG-50



Control box



Side Feed Pipe is optional

Conveyor belt is optional

## Specifications

Model	SG-5080	SG-50110	
Motor Power (kW, 50/60Hz)	37	45	
Rotating Speed (rpm, 50/60Hz)	525	525	
Conveying Blower (kW, 50/60Hz)	7.5	7.5	
Handspike Motor Power (kW,50/60Hz)	0.25	0.25	
Material of Blades	SKD11	SKD11	
Quantity Fixed Blades(optional)	2 (3)	2 (3)	
Quantity of Rotating Blades	3 (5)	3 (5)	
Cutting Chamber	500 x 800	500 x 1100	
Max. Output	1100	1500	
Noise Level dB(A)	105-110	105-110	
Screen	Φ12mm/0.47" Φ12mm/0.47"		
Dimension	H	mm 2980	2980
		inch 117.3	117.3
	H1 (mm)	mm 2150	2150
		inch 84.6	84.6
	H2 (mm)	mm 620	620
		inch 24.4	24.4
	H6 (mm)	mm 690	690
		inch 27.2	27.2
	H7 (mm)	mm 1260	1260
		inch 49.6	49.6
	H8 (mm)	mm 1610	1610
		inch 63.4	63.4
	H9 (mm)	mm 394	394
		inch 15.5	15.5
	D (mm)	mm 2000	2000
		inch 78.7	78.7
	D1 (mm)	mm 1740	1740
		inch 68.5	68.5
	D2 (mm)	mm 5470	5470
		inch 215.4	215.4
D3 (mm)	mm 690	690	
	inch 27.2	27.2	
W1 (mm)	mm 1740	2040	
	inch 68.5	80.3	
W2 (mm)	mm 2390	2390	
	inch 94.1	94.1	
W3 (mm)	mm 800	1100	
	inch 31.5	43.3	
W4 (mm)	mm 700	700	
	inch 27.6	27.6	
W5 (mm)	mm 266x266	266x266	
	inch 10.5x10.5	10.5x10.5	
Weight	kg 3280	3820	
	ib 7,231	8422	

- Notes: 1) SKD11 is steel grade of Japanese JIS standard.  
 2) Maximum throughput of granulator is subject to the diameter and material of screen mesh. For granulating frame and shell materials, maximum throughput will be reduced about half.  
 3) Noise level varies with different materials and motor types.  
 4) Noise level is tested under conditions of 1m around the machine and 1.6m from the ground.  
 5) To avoid plastic form sticking to the blades, all materials should be crushed at normal temperature.  
 6) Power supply : 3Φ, 230/400/460/575VAC, 50/60Hz.

## Shini Group

Addr: No. 23, Minhe St., Shulin Dist.,  
New Taipei, Taiwan

Tel: +886 2 2680 9119

Fax: +886 2 2680 9229

Email: [shini@shini.com](mailto:shini@shini.com)

### Factories:

- Taiwan
- Dongguan
- Pinghu
- Ningbo
- Chongqing
- Pune

2015-12-15-04 Copyrights Reserved.

[www.shini.com](http://www.shini.com)