

Sound-proof Central Granulator

SG-70120



Refer carefully to this manual before operation.

■ Coding Principle

SG - xx xx - x



■ Features

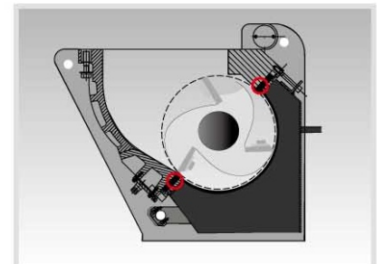
- Rotating cutters adopt newly developed V-type cutting technology which can send the feeding material into the center of rotating cutters so to prevent the material from adhering onto the inner side of the cutting chamber while enhancing its wearability.
- Two rows of fixed blades model has big inlet space and initially low cutting point. Material can be easily grabbed and cut thus making this rotor/housing combination ideal for the granulation of hollow objects such as bottles, crates and drums as well as large bulky materials.
- The cutters are made of imported high quality steel featuring wearability, high rigidity, long service life and reusable after re-sharpening.
- Equipped with presetting knife jig, rotating blades can be adjusted in the fixture outside the machine inside of machine instead of machine inside. It made blades adjustment must easier.
- Cutting chamber made of high rigidity material, after processing by CNC machine, has the features like high intensity, super wearability, no contamination, long service life and easy for maintenance and repairing.
- Sound-proof feeding box reduces the noise level in operation, also equips a safety material checking curtain which ensures no material sprinkling during granulating.
- V-type transmission belts help maintain a balanced operation mode, close contact, and also easy to disassemble and repair.
- Both feeding hopper and screen cradle can be opened and closed by the hydraulic system which ensures safe operation.
- Cooling water device at the rear plate of cutting chamber can effectively cool down the cutting chamber and prevent the inside material from melting up.
- Optimized structure and hermetic double sound-proof layers keep noise level low.
- Regrind conveying system as standard.
- Equipped with flywheel to improve cutting ability.



Presetting Knife Jig



V-Type Cutting Blades



Two Fixed plus Three Rotating Blades (Low Cutting Point)



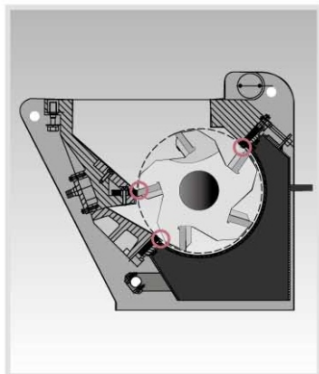
■ Application

SG-70 series granulators are applicable to granulate various kinds of plastic materials from injection molding, blow molding or extrusion molding. This series features compact design, easy operation and quick blade replacement. It is great in motor power, cutting chamber size, and output capacity. Gradually inclined cutting and integrated power design offers a better cutting effect and a lower noise level.

SG-70 Series

Options

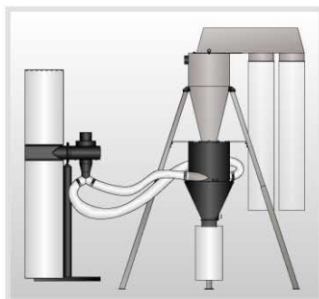
Three Fixed plus Five Rotating Blades (High Cutting Point)



High cutting point fixed blades model has small inlet space and initially high cutting point. Thus its cutting force is not so strong, which enhances the reliability of cutting solid material. This design is suitable for granulating big solid material with thick wall and sheet.

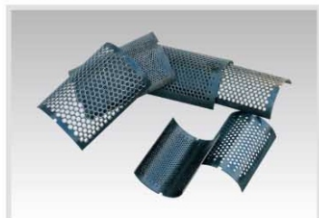


Cyclone dust separator conveying device



Dust Separator can separate the dust in the regrind for immediate recycle use. The dust will be kept in filter bag, thus working environment will remain clean. This device ensures full use of regrind to avoid material wasting and enhance the economy returns. Add "DS" at the end of the model code.

Special Screens



Special screen mesh sizes: $\Phi 10, \Phi 14$ (mm).
Add "SS + screen diameter" at the end of the model code, e.g.: $\Phi 6$ mm , add "SS06".

Full-receiver Alarm Device



Full-receive alarm device helps to realize unmanned operation and no materials will be wasted. Whenever the regrind level reaches the motor position, the machine will be forced to stop and be cut off via it is sensor, thus stop the granulator and warn the user by sounding an alarm. Add "FAD" at the end of the model code.

Cyclone dust separator conveying device



Cyclone dust separator can effectively remove the air from regrind and facilitates the material collecting. Add "SC" at the end of the model code.

Feeding Hopper for Conveyor



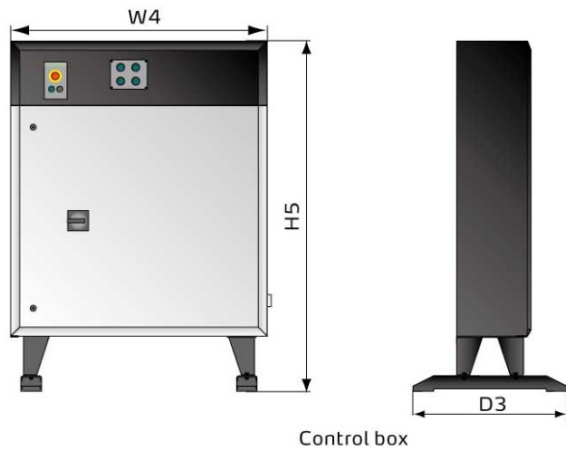
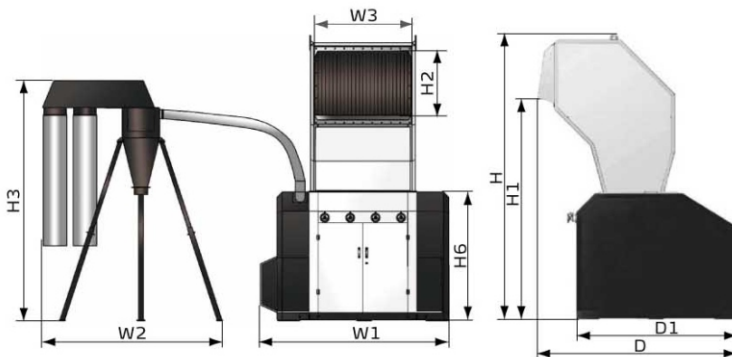
Material feeding for traditional large granulators is quite a difficult matter. They are generally installed at a lower place or a platform must be built for material feeding. Shini has particularly designed the belt conveyor to easily convey the material into the cutting chamber of SG-70 series. Add "BCF" at the end of the model code.

Material Side Feed Pipe

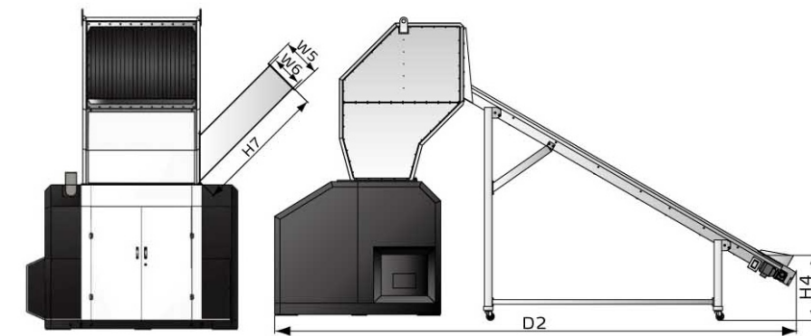


The design of feeding hopper of traditional granulators is not suitable for long pipes and section bars. We have designed material side feed pipe for convenient feeding of long materials. Add "SF" at the end of the model code.

Outline Drawings



Control box



Side Feed Pipe is optional

Conveyor belt is optional

Specifications

Model	SG-7090	SG-70120		
Motor Power (kW, 50/60Hz)	75	90		
Rotating Speed (rpm, 50/60Hz)	525	525		
Conveying Blower (kW, 50/60Hz)	4.0	5.5		
Handspike Motor Power (kW, 50/60Hz)	1.5	1.5		
Material of Blades	SKD11	SKD11		
Quantity of Fixed Blades (Optional)	2 (3)	2 (3)		
Quantity of Rotating Blades (Optional)	3 (5)	3 (5)		
Cutting Chamber	mm	700 × 900	700 × 1200	
	inch	27.6 × 35.4	27.6 × 47.2	
Max. Output	kg/hr	1300	1800	
	lb/hr	2866	3968	
Noise Level dB(A)	115	115		
Screen	Φ12mm/Φ0.47"	Φ12mm/Φ0.47"		
Increased Material Conveying Blower Power (kW)	○(7.5)	○(7.5)		
Dimension	H (mm)	mm	3950	3950
		inch	155.5	155.5
	H1 (mm)	mm	2890	2890
		inch	113.8	113.8
	H2 (mm)	mm	840	840
		inch	33	33
	H3 (mm)	mm	2910-3540	2910-3540
		inch	114.6-139.4	114.6-139.4
	H4 (mm)	mm	850	850
		inch	33.5	33.5
	H5 (mm)	mm	1370	1370
		inch	53.9	53.9
	H6 (mm)	mm	1720	1720
		inch	67.7	67.7
	H7 (mm)	mm	1419	1419
		inch	55.9	55.9
	W1 (mm)	mm	2480	2780
		inch	97.6	109.4
	W2 (mm)	mm	2000-2400	2000-2400
		inch	78.7-94.5	78.7-94.5
	W3 (mm)	mm	900	1200
		inch	35.4	47.2
	W4 (mm)	mm	1000	1000
		inch	39.3	39.3
	W5 (mm)	mm	400	400
		inch	15.7	15.7
	W6 (mm)	mm	350x350	350x350
inch		13.8x13.8	13.8x13.8	
D (mm)	mm	2630	2630	
	inch	103.5	103.5	
D1 (mm)	mm	2200	2200	
	inch	86.6	86.6	
D2 (mm)	mm	6840	6840	
	inch	269.3	269.3	
D3 (mm)	mm	600	600	
	inch	23.6	23.6	
Weight (kg)	mm	4500	5000	
	inch	9,921	11,023	

Notes: 1) "○" stands for optional.

2) SKD11 is steel grade of Japanese JIS standard.

3) Maximum output is subject to the diameter and material of screen mesh. For granulating frame and shell material, maximum output will be reduced about 50%.

4) Noise level varies with different materials and motor type.

5) Noise level is tested under conditions of 1m/39.9' around the machine and 1.6m/63' from the ground.

6) To avoid plastics from sticking to the blades, all materials should be crushed at normal temperature.

7) Power supply: 3Φ, 230/400/460/575VAC, 50/60Hz.

Shini Group

Addr: No. 23, Minhe St., Shulin Dist.,
New Taipei, Taiwan

Tel: +886 2 2680 9119

Fax: +886 2 2680 9229

Email: shini@shini.com

Factories:

- Taiwan
- Dongguan
- Pinghu
- Ningbo
- Chongqing
- Pune

2015-12-15-04 Copyrights Reserved.

www.shini.com